

Piezo Operated NAMUR Valve for Process Actuation



6520 EExi

3/2- and 5/2-Way, PN 2.5 – 7 bar

- ✓ II 2G EEx ia IIC T6
PTB01 ATEX 2194X approved
- ✓ Low power consumption
- ✓ 3/2- and 5/2-way
- ✓ High flow rates
- ✓ Long service life

Hazardous Areas

6520
EExi

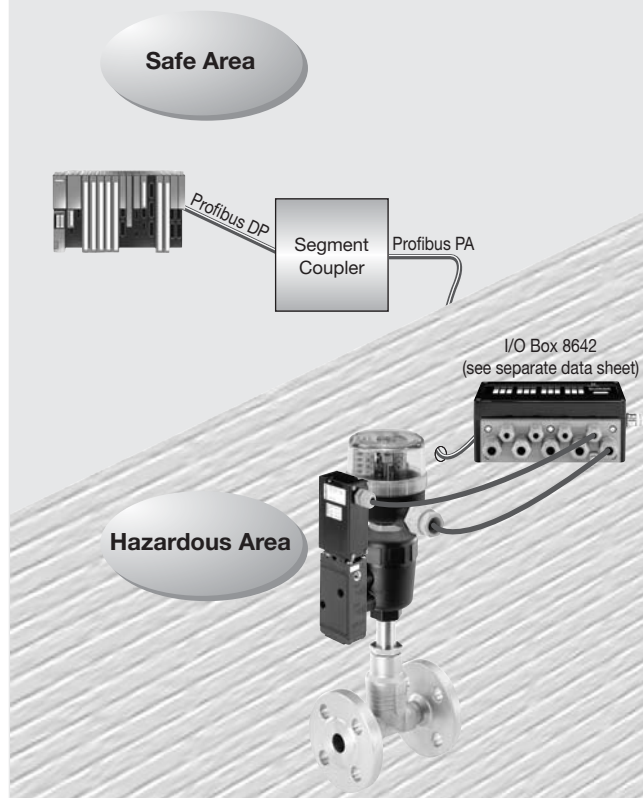
The 6520 EExi valves are used for process actuation in hazardous areas. Thanks to the intrinsically safe design and the choice of corrosion resistant materials, the valves can be used in a wide variety of demanding applications. The NAMUR flange allows easy mounting directly to process valves. Due to the low power consumption, up to 4 valves can be connected to the Profibus PA I/O-Box 8642. The circuit function of the 6520 can easily be changed from H (5/2-way) to C (3/2-way) simply by changing the adapter plate, which is within scope of supply.

Process Specification

U _i	35 V
I _i	0.9 A
P _i	225 mW
Nominal voltage	> 16 V
Electrical connection	1 x PG9
Duty cycle	100% continuously rated
Pneumatic connections	
Supply port	1, 3 and 5: G 1/4
Service port	2 and 4: NAMUR flange
Protection class	IP 65 with cable plug
Materials	
Pilot valve	Aluminum, anodized
Body	PA
Supply ports	Brass, nickel-plated or stainless steel
Seal	NBR, FPM, PUR
Fluids	Unlubricated instrument air, neutral gases
Media temperatures	-20 up to +50°C
Ambient temperatures	-20 up to +55°C
Mounting position	Any, preferably solenoid system upright

Applications: Target markets

- Chemical industry
- Pharmaceutical processing equipment
- Industrial waste water treatment
- Oil and gas industry



Piezo Operated NAMUR Valve for Process Actuation

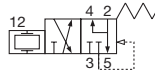


Hazardous Areas

Technical Data

Circuit Function

C 3/2-way valve, servo-assisted, in de-energized position, port 2 connected to port 4



H 5/2-way valve, servo-assisted, in de-energized position, port 2 pressurized and port 4 exhausted



Type	Circuit function	Orifice DN [mm]	Qn-Value (air) [l/min]	Pressure range [bar]	Response times [ms]		Weight [kg]
					opening	closing	
6520	H or C	6.0	380 **	2.5 – 7.0	250	500	0.6
6520	H or C	6.0	900	2.5 – 7.0	250	500	0.6

** Version for supply with reduced flow

Flow rate: Qn-value air [l/min]

Measured at +20°C, 6 bar pressure at valve inlet and 1 bar pressure difference

Pressure ranges [bar]

Measured as overpressure to the atmospheric pressure

Response times [ms]

Measured at valve outlet at 6 bar and +20°C
 Opening Pressure rise from 0 to 90%
 Closing Pressure drop from 100 to 10%

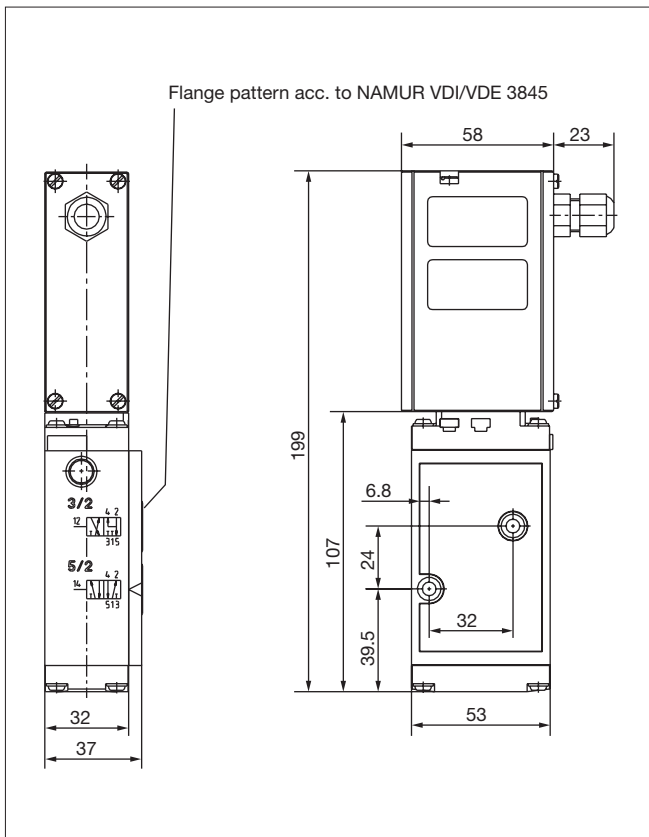
Specifications - Ordering Chart (Other Versions on Request)

Type	Circuit function	Supply port material	Port connection 2 and 4	Port connection 1, 3 and 5	Orifice DN [mm]	Min. air flow supply [l/min]	Qn-Value (air) [l/min]	Pressure range [bar]	Item-No.
6520	H or C	Brass, nickel-plated	NAMUR	G 1/4	6.0	≥ 150	380 **	2.5 – 7.0	141 722 S
6520	H or C	Brass, nickel-plated	NAMUR	G 1/4	6.0	≥ 270	900	2.5 – 7.0	136 667 W
6520	H or C	Stainless steel*	NAMUR	G 1/4	6.0	≥ 150	380 **	2.5 – 7.0	141 721 Z
6520	H or C	Stainless steel*	NAMUR	G 1/4	6.0	≥ 270	900	2.5 – 7.0	139 374 B

* For versions with stainless steel supply port, fixing and connection screws are as well made of stainless steel

** Version for supply with reduced flow

Dimensions [mm]



In case of special application requirements, please consult for advice.

We reserve the right to make technical changes without notice.
0603/1_EU-en_00891767

6520
EExi

DTS 1000011070 EN Version: B Status: RL (released | freigegeben | validé) printed: 13.08.2008