

Compressor High Pressure Solenoid Valve S5019 Series (G3/8", G1/2", G3/4", G1")

GENERAL FEATURES

- Wide pressure range, flow rate and orifices options.
- Solenoid valves are used with filters.
- Solenoid valves can be mounted in any position without affecting its operation.
- Coil to be used in a vertical position.
- High working pressure for connection 3/8", 1/2", 3/4" and 1".
- Top exhaust with 1 mm, 1.8 mm and 2.5 mm orifice
- Working temperature: -10°C / +160°C
- Minimum operating differential pressure 0.5 bar.

ELECTRICAL CHARACTERISTICS

Continuous Duty	: ED %100
Coil Insulation Class	: H (180°C)(IEC 85)
Coil Impregnation	: Polyester Fiber Glass
Ambient Temperature	: -10°C, +60°C
Protection Degree	: IP65 (ISO 60529) On request; IP68
Electric Plug Connection	: DIN 46340 3-Poles Connector (DIN 43650)
Connector Specification	: ISO 4400 / EN 175301-803 Form A, Spade Plug (Cable Ø6-8 mm)
Electrical Safety	: IEC 335
Standard Voltages	: AC 12V 15VA, 24V 15VA, 48V 15VA, 230V 15VA, 230V 24VA DC 12V 18W, 24V 18W, 48V 18W, 110V 18W

On request other voltages

Voltages Tolerance	: AC -15%, +10% DC -5%, +10%
Frequency	: 50 Hz (60 Hz...)

On request; Connector with LED, PWM Socket Specify coil voltage with order

MATERIALS IN CONTACT WITH FLUID

Body	: Brass
Internal Parts	: Stainless Steel
Sealing	: VITON
Shading Ring	: Copper (EN 12735-1)
Seats, Core Tube, Springs	: Stainless Steel

OPTIONS

- Female connection: BSP; (On request NPT)
- On request CR-Ni plated, PTFE coated done
- On request Atex (exproof) coil.

TECHNICAL FEATURES

Max. Viscosity	: 5°E (-37cST vey a mm²/s)
Response Time	: Opening time : 400 - 1600 ms Closing Time : 1000 - 2000 ms

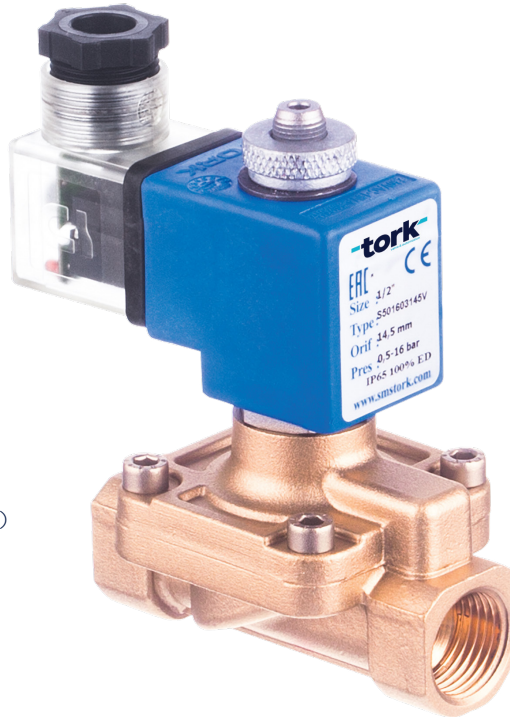
SEALS FEATURES

NBR	: -10°C...+80°C
EPDM	: -10°C...+130°C
VITON	: -10°C...+160°C
PTFE	: -10°C...+160°C
RUBY	: -10°C...+160°C

STANDARDS

- Standard tube connection G (BSP) (ISO 228-1) and other tube connections (NPT (ANSI 120.3)) are available on request.
- TORK solenoid valves 97/23/EC, are available for pressure equipment directive (PED) and 2006/95/ECC low voltage directive (LVD).

Not: Please look catalogues for more details.



HIGH PRESSURE

NORMALLY OPEN

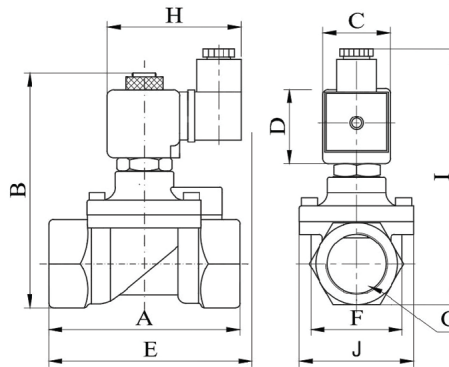
2/2 WAY

PILOT OPERATED

ΔP=0,5



COMPRESSOR



Dimensions (mm)

	G	A	B	C	D	E	F	K	H	I
3/8"	75	105	32	45	91.3	37.5	52	76	108	
1/2"	79	107	32	45	92	39.5	52	76	110	
3/4"	79	115	32	45	94	41.5	52	76	118	
1"	85	122	32	45	101	42.5	52	76	124	

Coils	Nominal Values	Cold/ Hot	Inrush	Holding	Current (A)	Surface Temperature (°C)
C40012VDC18W	12VDC 18W	COLD HOT	19,56 14,52	19,56 14,52	1,63 1,21	20 106
C40024VDC18W	24VDC 18W	COLD HOT	20,88 14,64	20,88 14,64	0,87 0,61	25 116
C40110VDC18W	110VDC 18W	COLD HOT	19,96 13,56	19,96 13,56	0,18 0,123	23 115
C40012VAC15VA	12VAC 15VA	COLD HOT	23,81 -	16,43 15,86	1,3 1,262	25 79
C40024VAC15VA	24VAC 15VA	COLD HOT	25,82 -	15,02 13,91	0,62 0,57	22 81
C40110VAC15VA	110VAC 15VA	COLD HOT	30,65 -	15,17 13,96	0,137 0,126	24 80
C40230VAC15VA	230VAC 15VA	COLD HOT	31,4 -	15,64 14,41	0,068 0,063	25 80
C40230VAC24VA	230VAC 24VA	COLD HOT	45,1 -	23,92 21,62	0,0154 0,0154	23 100

Solenoid Valve Symbol	Valve Type/ Order No	Connection Size	Orifice Size	Pressure min/max	Kv	Seal	Weight
	S5019	G	mm	Bar Bar	l/min	VITON	kg
	S5019.02	3/8"	12,5	0,5 40	48	✓	0,71
	S5019.03	1/2"	14,5	0,5 40	70	✓	0,74
	S5019.04	3/4"	17	0,5 40	85	✓	0,82
	S5019.05	1"	17	0,5 40	90	✓	0,99